

Coffee grinders

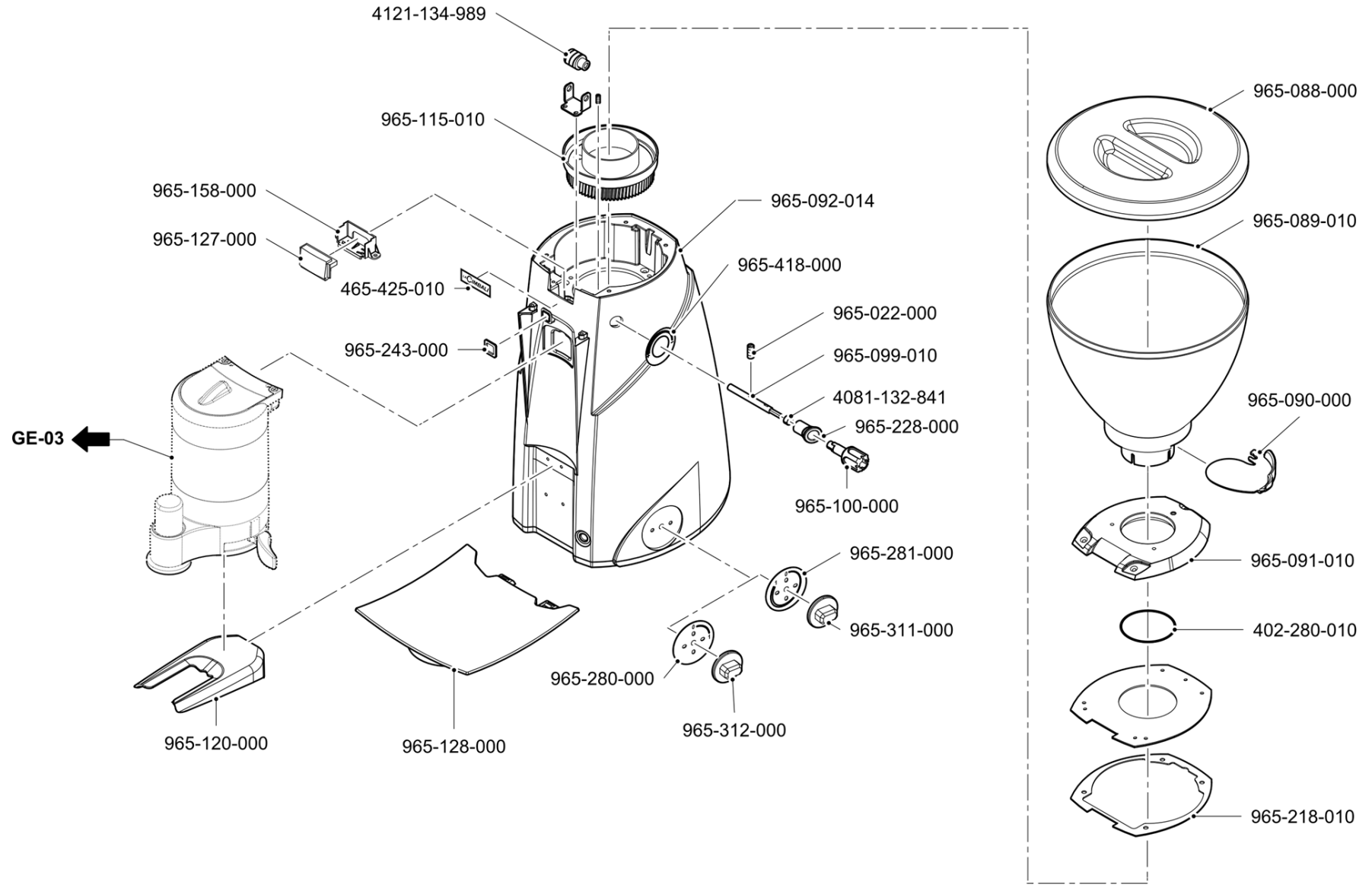


MD7S

INDEX

MD 7S - Generic table	2
Coachwork	3
Starting device	5
Coffee powder doser	7
Grinding section	9
PRIMARY SPARE PARTS	11

Pos	Part Number	Description	Validity	Notes
-	2811136552	LEFT COMPLETE LEVER TN		
-	2811136553	RIGHT COMPLETE LEVER TN		
-	465446010	RUBBER INSERT FOR MD LEVER		
-	530117500	MAIN CABLE		
-	531494300	METAL. COND. 10 uF DUCATI 416.33.27		
-	532804900	ANTIVIBRATION MOUNT M5		
-	537051200	SCALDED GEAR		
-	965092024	MD BODY		
-	965127010	WINDOW		
-	965185000	SUPPORT TURNING GRINDSTONE 64		
-	965298000	MIXER		
-	965450000	DOSING SECTOR		
-	965493000	PIVOT		
-	965499000	SCRAPE		
-	965806000	GRINDING CHAMBER		
-	965823000	KIT COLLAR		
-	968003010	HOPPER GASKET		
-	531390800	RH STROKE COUNTER		
-	975045000	BLADE LOCKING PLATE DOS. THEO		
-	980107000	YELLOW BRISTLE BRUSH WOODEN HANDLE		
-	433145000	PIPE BRUSH D.35		
-	537057300	KIT ALBERO PER DOSATORE		
-	965106008	ALBERO REGOLAZIONE MACINE "NSF RUVECATO"		
-	4529134991	HANDLE		



Pos	Part Number	Description	Validity	Notes
-	402280010	OR 75,92X1,78		
-	4081132841	COMPRESSION RING		
-	4121134989	SCREW		
-	465425010	"LA CIBALI" PLATE		
-	965022000	BALL PRESSURE		
-	965088000	HOPPER LID		
-	965089010	HOPPER		
-	965090000	LOCK GATE		
-	965823000	KIT COLLAR		
	⇒ 965091010	RING HOPPER		
-	965092024	MD BODY		
	⇒ 965092014	BODY MD		
-	965099010	GRINDING ADJUSTMENT SCREW SHAFT		
-	965100000	HANDLE		
-	537051200	SCALDED GEAR		
	⇒ 965115010	TOOTHED WHEEL		
-	965120000	LONG SEAT FOR THE FILTER HOLDER		
-	965127010	WINDOW		
	⇒ 965127000	SLIDE MD CASADIO		
-	965128000	TRAY PLATE		
-	965158000	WINDOW		
-	965218010	UPPER BODY GASKET		
-	965228000	OR HANDLE		
-	965243000	CABLE GLAND		
-	965280000	LABEL 1-0 (ON/OFF)		
-	965281000	TIMER LABEL		
-	965311000	KNOB TIMER		
-	965312000	ROUND TIMER KNOB		
-	965418000	BLACK COFFEE LABEL		

MOLINO DOSIFICADOR
MOINHO DOSEADOR

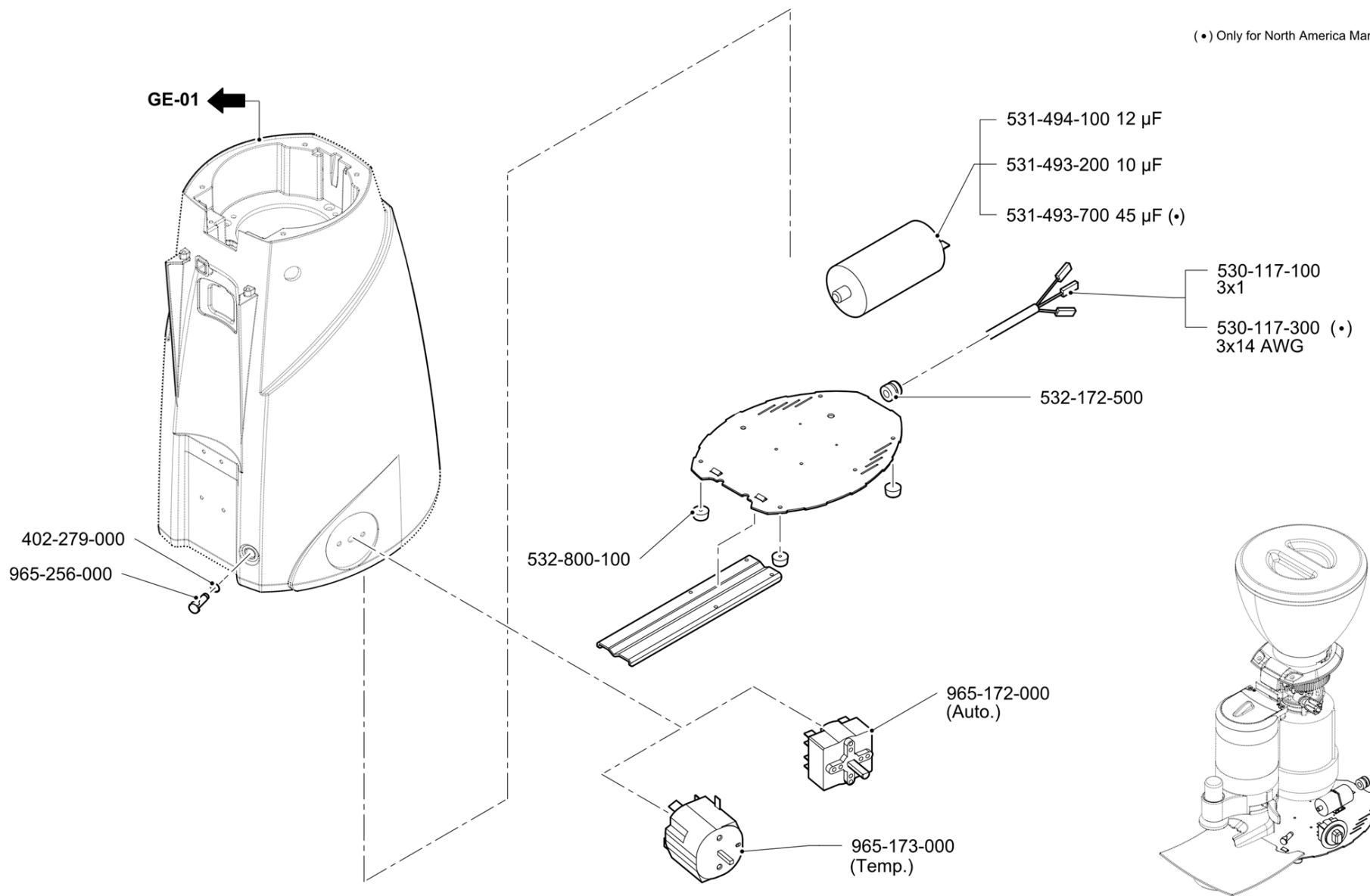
COFFEE GRINDER
KAFFEE DOSIERMÜHLE

MACINADOSATORE
MOULIN DOSEUR

7/S



(•) Only for North America Market



DISPOSITIVO DE ARRANQUE
DISPOSITIVO DE ARRANQUE

STARTING DEVICE
START VORRICHTUNG

DISPOSITIVO DI AVVIAMENTO
DISPOSITIF DE MISE EN MARCHÉ

ED. AUSGABE 03-11

TAB. GE-02

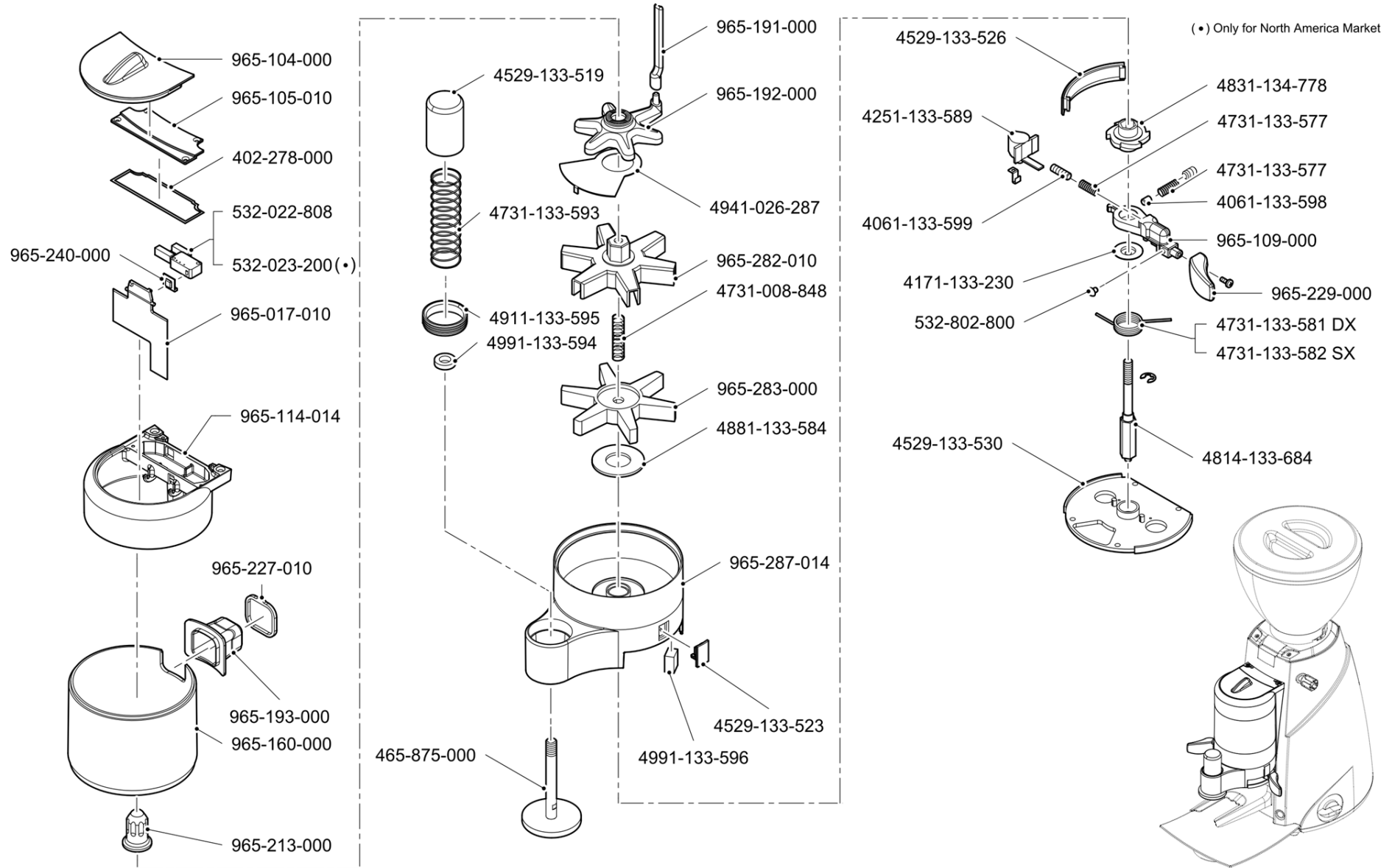
Pos	Part Number	Description	Validity	Notes
-	402279000	OR 11X1 NBR		
-	530117500	MAIN CABLE		
	⇒ 530117100	SUPPLY WIRE		
-	530117300	SUPPLY WIRE MONO3X14		
-	531494300	METAL. COND. 10 uF DUCATI 416.33.27		
	⇒ 531493200	CAPACITOR 10 uF		
-	531493700	CAPACITOR 45 uF		
-	532172500	FIXCABLE		
-	532800100	FOOT		
-	965172000	SWITCH 3 PHASE ROT 4 RH		
-	965173000	SWITCH BIPOLAR TIMER		
-	965256000	GREEN LAMP 110-230V		
-	531494100	CONDENSER 12.5 uF DUCATI 416.33.3029		

MOLINO DOSIFICADOR
MOINHO DOSEADOR

COFFEE GRINDER
KAFFEE DOSIERMÜHLE

MACINADOSATORE
MOULIN DOSEUR

7/S



DOSIFICADOR DE CAFÉ MOLIDO
DOSEADOR DE CAFE MOIDO

COFFEE POWDER DOSER
KAFFEE PULVERDOSIERER

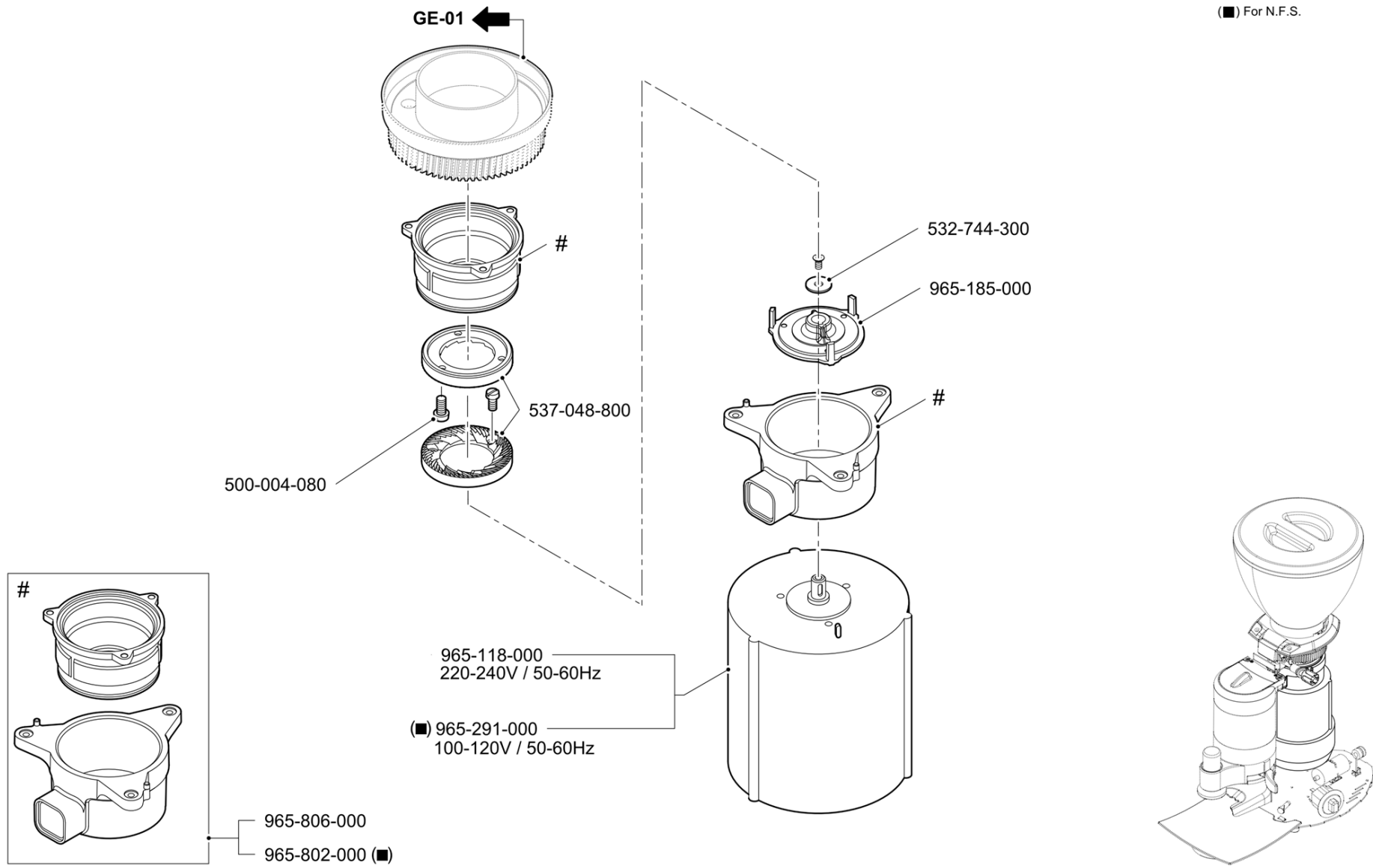
DOSATORE MACINATO
DOSEUR CAFE MOULU

ED. AUSGABE 03-11

TAB. GE-03

Pos	Part Number	Description	Validity	Notes
-	402278000	OR 66,4X1,78 SILICON		
-	4061133598	PIN 4X16		
-	4061133599	PIN		
-	4171133230	WASHER		
-	531390800	RH STROKE COUNTER		
	⇒ 4251133589	RIGHT BLOW COUNTER		
-	4529133519	TAMPER LEVER		
-	4529133523	COUNTER PROTECTION		
-	4529133526	HANDLE PROTECTION		
-	4529133530	BASE DOSER BLACK		
-	465875000	COFFEE TAMPER		
-	4731008848	SPRING		
-	4731133577	SPRING		
-	4731133581	SPRING		
-	4731133582	SPRING		
-	4731133593	SPRING TAMPER		
-	4814133684	SHAFT		
-	4831134778	GEAR		
-	4881133584	SPACER		
-	4911133595	DISK TAMPER		
-	965450000	DOSING SECTOR		
	⇒ 4941026287	DOSING DEVICE		
-	4991133594	SHOCK ABSORBER		
-	4991133596	SHOCK ABSORBER		
-	532022808	MICRO CROUZET EF83161,3		
-	532023200	MICROINT CROUZET EF83161.3		
-	532802800	DOSER LEVER PROTECTION		
-	965017010	LEVER MICRO SWITCH		
-	965104000	COFFEE CONTAINER LEED		
-	965105010	MICROSWITCH COVER		
-	965109000	DOSING LEVER		
-	965114014	DOSING COVERING PANEL ASS. CASADIO SAT.		
-	965160000	GROUND COFFEE CONTAINER		
-	965191000	ROD		
-	965192000	DOSING STAR		
-	965193000	SIDE COFFEE CHANNEL		
-	965213000	RING NUT FOR MIXER LOCK		
-	965227010	COFFEE SHAFT GASKET		
-	965229000	LEVER DOSER HANDLE		
-	965240000	MICRO'S GASKET		
-	965282010	DOSING STAR		
-	965283000	STAR		
-	965287014	MAGNUM DOSER BODY		

(■) For N.F.S.



CAMARA DE MOLTURACIÓN
TREMONHA

GRINDING SECTION
MAHLSCHEIBENKAMMER

CAMERA DI MACINAZIONE
SECTION DE MOUTURE

Pos	Part Number	Description	Validity	Notes
-	500004080	M4X8 SCREW UNI 6107 INOX		
-	532744300	WASHER 6.4x18 INOX		
-	537048800	GRINDSTONE DIA.63,5 MM DX		
-	965118000	MOTOR		
-	965185000	SUPPORT TURNING GRINDSTONE 64		
-	965291000	ENTRY-LEVEL MOTOR 100-120V 50-60Hz UL		
-	965802000	PROTECTION EL NSF 64		
-	965806000	GRINDING CHAMBER		

Pos	Part Number	Description	Validity	Notes
-	4731133581	SPRING		
-	532022808	MICRO CROUZET EF83161,3		
-	537048800	GRINDSTONE DIA.63,5 MM DX		
-	965088000	HOPPER LID		
-	965089010	HOPPER		
-	965090000	LOCK GATE		
-	965100000	HANDLE		
-	965172000	SWITCH 3 PHASE ROT 4 RH		
-	965173000	SWITCH BIPOLAR TIMER		
-	965191000	ROD		
-	965229000	LEVER DOSER HANDLE		
-	965256000	GREEN LAMP 110-230V		
-	965311000	KNOB TIMER		
-	965312000	ROUND TIMER KNOB		

LA CIMALI